

Draft 200X STANDARD FOR PROTECTIVE HEADGEAR

For Use in Children's Motor Sports Activities

SPECIAL NOTICE TO PARENTS

This standard sets requirements for two distinct classes of motorsports headgear. One of these is intended to describe helmets for use by children of at least six years of age through as old as eleven years of age. Many of these children will be unable to manage helmets certified to the Foundation's M and SA standards. The M and SA designations apply to motorsports headgear intended for use by adults. The requirements have been set deliberately to imply all the helmet and adult could reasonably be expected to wear. Since pre-pubertal children will not have the muscle or stamina of adults, this standard demands headgear much lighter than those currently meeting M and SA requirements and, therefore, much less protective.

The second class of helmets is intended for helmets for persons twelve years of age and older. This second class of helmets includes all the requirements of the Foundation's current standard for adult motorcycle helmets with the additional restriction that the helmet must not weigh more than 1400 grams in its heaviest configuration.

Children in the younger age category may be able to manage headgear meeting the Foundation's M requirements. If they can wear adult headgear and remain competent and effective, they should be encouraged to do so. Parents should always remember that there are reasonably foreseeable crashes that will overwhelm the protective capabilities of Snell Certified helmets causing death or profound injury. Children should always wear the most protective headgear consistent with their capabilities and, if that level of protection is deemed insufficient, the child should be encouraged to wait.

FOREWORD

In a motor sports accident, the rider may suffer injury or death. Helmets on the market today offer varying degrees of protection, but the consumer has little basis for judging the relative effectiveness of a given model. This Standard presents rational methods for identifying those helmet models which definitely meet specified standards for impact (crash) protection and retention system strength and, afterwards, identifying those which definitely have ceased to meet those standards.

The Snell Foundation urges that protective helmets be required for all individuals participating in supervised racing events and encourages the general public to wear helmets which meet appropriate performance standards¹.

This 200X Standard establishes performance characteristics suitable for children's use in motor sports involving motorcycles, power boats, karts, all-terrain vehicles and snowmobiles. **This Standard does not establish construction and material specifications. The Foundation does not recommend specific materials or designs.** Manufacturers voluntarily submit helmets to be tested to this Standard and if the submitted helmets pass, a certification is issued.

The Foundation will make available the identity of those products which have been Snell certified but will not attempt to rank those products according to performance nor to any other criteria. Neither does the Foundation distinguish between the needs of participants in competitive events and those of the general public.

All of the requirements described herein, including both initial certification and random sample testing, are an integral part of this Standard. No helmet can satisfy the

¹The Foundation has also published Standards for headgear used in bicycling, non-motorized sports, automobile racing, karting, competitive skiing, skiing and snowboarding and equestrian activities. Copies of these Standards are available on request.

Standard unless it is subject to both certification and random sample testing by the Foundation.

Snell certification for protective headgear requires a specific contractual agreement between the primary headgear manufacturer and the Foundation. Certification procedures may be obtained upon application to the Foundation.

SNELL MEMORIAL FOUNDATION is a registered certification mark and M2005 is a certification mark of the Snell Memorial Foundation.

INTRODUCTION

This Standard addresses the problem of protecting the head from direct impact with surfaces or objects that might be encountered in a motor sports accident. The Standard prescribes direct measures of several factors bearing on a helmet's ability to protect the head as well as its general serviceability as motor sports headgear. Thus, this Standard is directed towards the kinds of performance bearing on head protection that may not readily be discernable by even knowledgeable consumers and parents at the time of purchase.

Some of these performance requirements have been expressed in terms of limitations on the various components and features of the single general helmet configuration currently available. These expressions have been used only for the sake of clarity and should not be misinterpreted as requiring specific configurations or materials. As newer helmet technologies appear, these limitations will be re-examined and, perhaps, restated.

A protective helmet consists generally of a rigid head covering and a retention system composed of flexible straps and hardware. The rigid covering consists of a stiff outer shell and a crushable liner. The stiff outer shell protects by its capacity to spread a concentrated load at its outer surface over a larger area of the liner and the wearer's head. The crushable liner protects the head from direct impact by its capacity to manage impact energy.

The retention system holds the headgear in position throughout normal usage and especially during falls and accidents. This Standard applies two different tests to the retention system. The first of these tests for stability by fitting the headgear to a standard headform and then attempting to displace it by applying tangential shock loadings. The second tests retention system strength by applying a shock load to the system components through a simulated chin.

The quality of the fit and the care taken with the adjustments are absolutely critical elements in these tests. **The manufacturer must provide suitable guidance so that the wearer will be able to select and adjust headgear to obtain the necessary quality of fit and positional stability.**

The capacity for impact protection is determined by direct measurement of the shock delivered through the helmet to a headform when the helmeted headform is dropped in a specified manner onto any of three unyielding anvils.

Most sports helmets are intended to accommodate a range of head sizes and shapes. Various thicknesses of resilient padding are sometimes placed within otherwise identical helmets during production or during fitting to configure the helmet to several different ranges of head size. This resilient padding does not significantly affect the way the helmet absorbs and attenuates impact and is not directly addressed in this Standard.

The helmet must also resist penetration by sharp edged and pointed projections and projectiles. This capacity is tested by placing the helmet on a headform and dropping a metal cone of specified mass and geometry onto the shell. The tip of this cone must not penetrate to the headform.

Similarly, the helmets must resist chemical attack by bodily fluids as well as solvents and chemicals associated with motor sports. This capacity may be tested by applying a solvent mix before further conditioning and testing.

Full face helmets provide a measure of facial protection in addition to the impact protection generally sought. The principle feature of a full face helmet is a chin bar that extends forward to cover the jaw area converting the facial opening into a visual port. Frequently, a face shield is also provided so that the wearer's face is completely covered.

In order to be considered a full face helmet, the chin bar must be an integral part of the helmet structure. This interpretation specifically includes configurations in which the chin bar pivots about a hinge up and away from the face but excludes simple 'bolt-on' chin coverings. The Standard then tests the rigidity of the chin bar by dropping a weight onto it at a specified velocity so as to attempt to force the chin bar toward the interior of the helmet. The chin bar must not deflect more than a specified amount.

If a face shield is provided with a full face helmet, then this face shield must resist penetration by small particles. A sharp lead pellet of a specified weight is directed into the face shield at a specified velocity. The pellet must not penetrate into the helmet interior.

This Standard also includes a test intended to determine whether the headgear may be removed from an unconscious accident victim quickly, easily and reliably in spite of any damage the headgear might reasonably be expected to sustain. Traditional helmet architectures have satisfied this requirement so readily that many Standards including previous Snell Foundation Standards have not mentioned it. Even so, it is unthinkable that a headgear might protect its wearer in an accident only to thwart attempts at rescue afterward.

Inadequate ventilation may render a helmet unwearable in hot climates, especially if the helmet is full faced. This Standard limits the diameter of ventilation holes in the helmet shell but makes no direct demands on either the quantity or quality of air flow to the wearer.

Other general features of motor sports helmets may include eyeshades and accommodations for goggles, and visibility enhancements such as bright colors and reflective surfaces. These features all deal with matters of safety and comfort that are not directly addressed in this Standard but which merit the consideration of wearers as well as manufacturers.

Although helmet use has been shown to reduce the risk of head injuries significantly, there are limits to a helmet's protective capability. No helmet can protect the wearer against all foreseeable accidents. Therefore injury may occur in accidents which exceed the protective capability of any helmet including even those helmets meeting the requirements of this Standard.

A helmet's protective capability may be exhausted protecting the wearer in an accident. Helmets are constructed so that the energy of a blow is managed by the helmet, causing its partial destruction. The damage may not be readily apparent and the Foundation strongly recommends that a helmet involved in an accident be returned to the manufacturer for complete inspection. If it is not possible to do so, the helmet should always be destroyed and replaced.

Finally, the protective capability may diminish over time. Some helmets are made of materials which deteriorate with age and therefore have a limited life span. At the present time, the Foundation recommends that motor sports helmets be replaced after five (5) years, or less if the manufacturer so recommends.

CONSTRUCTION

A. General

The assembled helmet shall have smooth external and internal surfaces. Any feature projecting more than 7 mm beyond the outer surface must readily break away; all other projections on the outer surface shall be smoothly faired and offer minimal frictional resistance to tangential impact forces. Rivets and similar projections into the helmet interior must offer no laceration or puncture hazard. Restraint clips may be used at the rear or on the side of the helmet. The helmet shall provide as nearly uniform impact protection over the entire protected area as is possible.

If the absence of any detachable component of the helmet does not prevent its being worn, then this absence must not compromise either the retention system or the impact protection. If any part of the helmet detaches during testing, it must offer no laceration or puncture hazard nor reduce the coverage of the head.

If the manufacturer provides add-ons such as visors, face shields and neck curtains with the helmet, these add-ons must neither lessen the protective capability of the basic helmet nor create a direct hazard for the wearer.

B. Shell

If rivets are used, the heads shall not have sharp edges and shall not project more than 2 mm from the outer surface of the helmet.

C. Materials

Ideally, materials used in the manufacture of the helmet should be of durable quality and not be harmed by exposure to sun, rain, dust, vibration, sweat or products applied to the skin or hair. Similarly, the materials should not degrade due to temperature extremes likely to be encountered in routine storage or transportation.

Materials which are known to cause skin irritation or are conducive to disease shall not be used for the parts which contact the skin. Materials that support the growth of fungi or algae shall not be used. Fabric lining or padding materials, if used, may be detachable for the purpose of washing so long as their absence does not degrade the protective capabilities of the helmet.

D. Finish

All edges of the helmet shall be smoothed and rounded with no metallic parts or other rigid projections on the inside of the shell that might injure the wearer's head in the event of impact.

E. Retention System

The retention system shall be designed so as to discourage misuse. That is, of all the ways in which the retention system might be used, the design use shall be the simplest and quickest to implement. Helmets shall not be fitted with "non-essential" features which, if misused, can degrade the performance. Quick release buckles, if used, shall not be able to be released inadvertently.

Fabric chinstraps, if used, shall not be secured to the shell by a bolt, pin or rivet passing through the material itself. Although other alternatives may be proposed, the preferred method of attachment is that the strap be looped through and sewn about a metal hanger which can then be secured to the shell by bolt, rivet or other appropriate means.

F. Peripheral Vision

The helmet shall provide peripheral visual clearance as measured using a reference headform appropriate to the size of the helmet. This peripheral vision includes a horizontal clearance of at least 210°, an upward clearance of at least 7° and a downward clearance of at least 30°. However, this downward clearance makes specific allowance for breath

deflectors. These clearances are described in terms of planes fixed in the reference headforms.

Some competitive applications may require helmets with more restricted visual fields. When justified, special addenda to this Standard will define reduced visual fields, the procedures for determining whether a helmet satisfies the requirement and the additional labeling requirements warning that the headgear may be appropriate only for certain uses.

G. Weight

Headgear shall be weighed in the most massive configuration possible with accompanying helmet paraphernalia. Helmets intended for use by persons ages 6 years through 11 years shall not weigh more than 750 grams. Helmets intended for use by persons ages 12 years through 15 years shall not weigh more than 1400 grams.

QUALIFICATIONS FOR CERTIFICATION

For qualification testing, helmets shall be in the same condition as those offered for sale. No helmet or component which has been subjected to any tests described in this Standard shall be offered for sale after testing. A total of five (5) complete helmets must be submitted by the manufacturer for a certification test program for each distinct structural configuration of the models offered for sale. Four of these samples will be destroyed in testing, the fifth shall be retained for comparison and reference.

MODIFICATIONS

Cosmetic changes to certified headgear are permissible. Such changes are generally limited to marking or trimming the headgear with manufacturer approved paint or tape. Otherwise, modifications to certified headgear effectively create new configurations which shall not have the confidence and certification of the Foundation until properly evaluated.

Manufacturers must not place the Foundation's certification label in any modified headgear without the Foundation's written authorization.

The Foundation recommends that helmet owners not modify or contract someone else to modify their helmets. Any structural modification may adversely affect a helmet's protective capability. The Foundation's certification and, quite likely, all manufacturer warranties apply to the headgear only in its as manufactured condition.

RANDOM SAMPLE TESTING

In addition to the certification testing, the Foundation will routinely obtain and test samples of previously certified models. These samples will be selected from among those stocks intended for retail sale to consumers. In this manner, the Foundation will attempt to ensure that the helmets made available to the public continue to meet the performance requirements of this Standard.

In cases where helmets are provided directly to users and do not pass through a normal sales distribution system, the Foundation will set up alternative procedures to monitor certified products. Specifically, if helmets are provided directly to teams or individuals for use in organized events, the Foundation must have access to the helmets for spot checking and non-destructive evaluation.

LABELING AND MARKING

Each helmet shall have durable, visible and legible labeling identifying the manufacturer, the month and year of manufacture, the model and the size. Labeling shall be uncoded and either in English or a language common to the area where the helmets are to be distributed. The headgear shall also be labeled to the following effect:

1. No helmet can protect the wearer against all foreseeable impacts. However, for maximum protection, the helmet must be of good fit and the retention

system must be securely fastened to retain the helmet. The helmet, when fitted and fastened, shall not be removed easily.

2. This helmet is so constructed that the energy of an impact may be absorbed through its partial destruction, though damage may not be visible. If it suffers an impact, it must either be returned to the manufacturer for inspection or be destroyed and replaced.
3. Certified as a full face helmet. (or) Certified as an open face helmet. (as appropriate.)
4. References to the Snell Memorial Foundation on the helmet or in the accompanying literature and packaging must include "FOR 6-11 YRS" if the model meets only that portion of the requirements.

If any of the helmet components are sensitive to common solvents, adhesives, paints or cleansers; the helmet must also bear labels to the following effect:

This helmet can be seriously damaged by some common substances without visible damage. Apply only the following: (Recommended cleaning agents, paints, adhesives and the like) as appropriate.

If the helmet model was certified according to a special addendum to this standard, each helmet shall also include the warning labels required by that addendum.

Each helmet shall also include one of the Foundation's serialized certification labels. The Snell certification label shall be placed either inside or on the outside of the helmet, as appropriate, in such a way that it cannot be removed intact.

The registered trademark (certification label) of the Snell Memorial Foundation may be used by the manufacturer only under license from the Snell Memorial Foundation. The specifics of licensure may be obtained from the Foundation.

MARKING AND LABELING OF CRITICAL COMPONENTS

If a helmet component may reasonably be replaced with an inappropriate substitute that might degrade wearer safety and performance in any of the tests called out in this standard, the manufacturer must mark those components so that users may avoid the purchase and use of inappropriate replacement parts. In particular, faceshields on full face helmets must be marked to identify the manufacturer and the month and year of manufacture.

EXTENT OF PROTECTION

The extent of protection corresponds to that region of the head for which protection is sought. This region is defined according to the geometry of five reference headforms: 'A', 'E', 'J', 'M' and 'O' which are described in International Standards Organization (ISO) Draft Standard ISO DIS 6220-1983.

There are a number of planes fixed in the geometry of these headforms as shown in Figure 1. This description of the extent of protection uses the ISO definitions of the basic plane, the longitudinal plane, the transverse plane and the reference plane. Other planes have also been defined strictly for convenience and clarity.

The basic plane corresponds to the anatomical plane (Frankfort plane) that includes the auditory meatuses and the inferior orbital rims. The longitudinal or midsagittal plane is perpendicular to the basic plane and is the plane of symmetry dividing the right half of the headform from the left. The transverse or coronal plane is perpendicular to both the longitudinal and basic planes. It corresponds to the anatomical plane that contains the two auditory meatuses and divides the front from the rear portions of the head. The reference

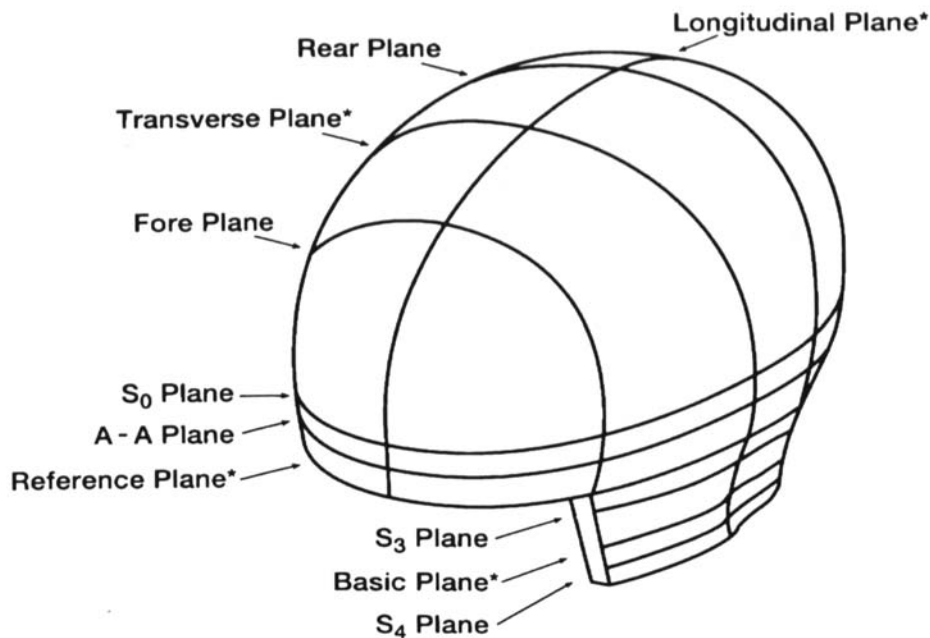


Figure 1 ISO Headform -- ISO DIS 6220-1983

plane is parallel to the basic plane and lies above it at a distance determined by the size of the headform: 24 mm, 26 mm, 27.5 mm, 29 mm and 30 mm for the 'A' through 'O' headforms respectively.

These four planes are all well known entities. The remaining planes, however, have been defined purely for the purposes of this Standard. The S₀ plane is parallel to the basic

plane and lies above it at a distance determined by the size of the headform: 46.8 mm, 50 mm, 53 mm, 55.2 mm and 57.2 mm for the 'A' through 'O' headforms respectively.

The S_3 plane is parallel to the S_0 plane and the basic plane and lies between them at a distance of 26.1 mm, 28.2 mm, 30 mm, 31.5 mm and 32.2 mm below the S_0 plane for the 'A' through 'O' headforms respectively. The S_4 plane is also parallel to the S_0 plane and lies below it at a distance of 52.2 mm, 56.4 mm, 60 mm, 63 mm and 64.5 mm for the 'A' through 'O' headforms respectively.

The rear plane divides the rear third of the head from the front two thirds. It is parallel to the transverse plane and lies at a given distance behind the point where the reference plane and longitudinal planes intersect with the front surface of the headform. The distance from this point, hereafter called the reference point, is determined by the size of the headform: 128.6 mm, 139 mm, 148.4 mm, 155.8 mm and 161.5 mm for the 'A' through 'O' headforms respectively.

The fore plane is also parallel to the transverse plane. It lies behind the reference point at a distance determined by the size of the headform: 39 mm, 42.2 mm, 45.2 mm, 47.4 mm and 49.2 mm for the 'A' through 'O' headforms respectively.

The extent of protection provided by the helmet must include the entire region above the S_0 plane and forward of the fore plane, the entire region above the S_3 plane and between the fore and rear planes and the entire region above the S_4 plane and behind the rear plane. (See Figure 2.)

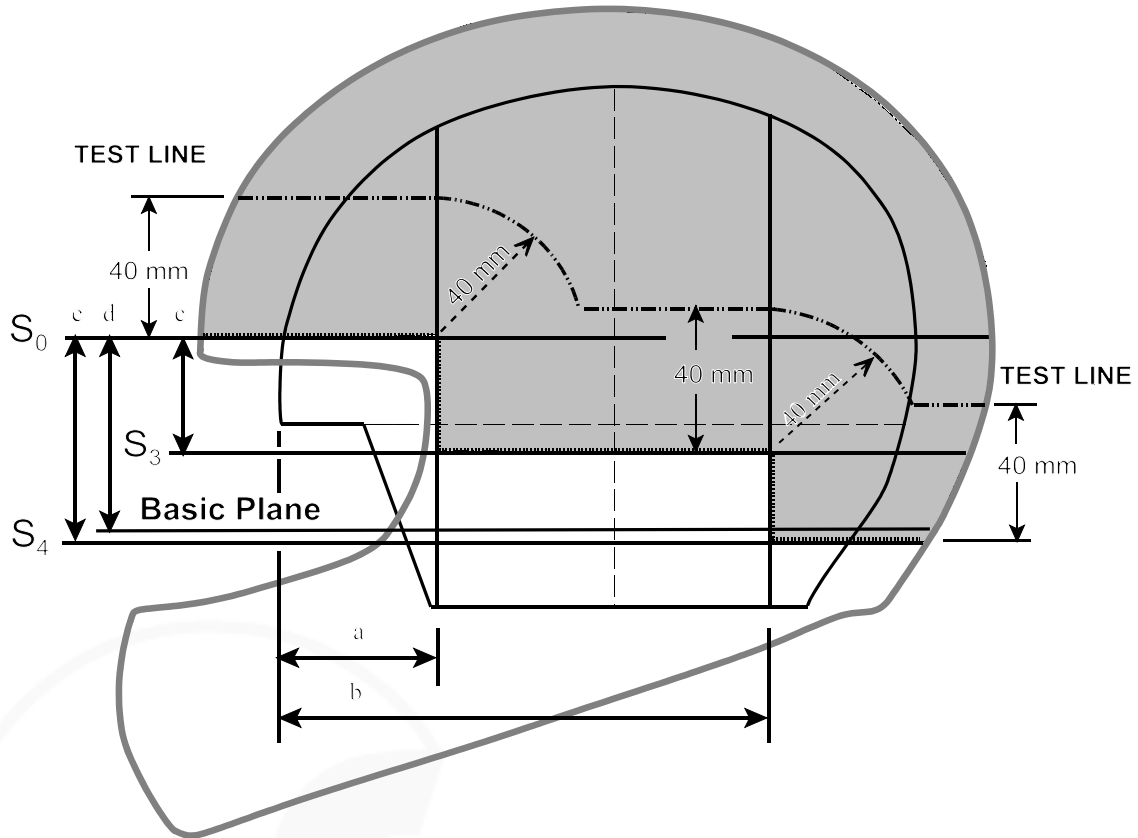


Figure 2 Extent of Protection

Extent of Protection

Headform	a	b	c	d	e
ISO A	39.0	128.6	26.1	46.8	52.2
ISO E	42.2	139.0	28.2	50.0	56.4
ISO J	45.2	148.4	30.0	53.0	60.0
ISO M	47.4	155.8	31.5	55.2	63.0
ISO O	49.2	161.5	32.2	57.2	64.5

Units of measure are in millimeters.

TESTING

A. Helmet Positioning

Each helmet will be positioned on the appropriate headforms for testing according to the helmet positioning indices specified. If the manufacturer fails to provide positioning information with certification samples, the helmets will be positioned according to the best judgement of the Foundation's technical personnel. If the helmets meet certification requirements, the helmet positioning indices will be those used in all future testing.

These helmet positioning indices represent distances on the headform measured from the basic plane along the intersection with the longitudinal plane to the lower edge of the helmet.

Helmet positioning indices will be assigned for all headform sizes appropriate to the headgear. Each headgear could conceivably require five helmet positioning indices, one each for the 'A', 'E', 'J', 'M' and 'O' headforms.

B. Inspection

Each helmet will be inspected for the required labels and for compliance with the general limitations made on structure. The weight and various measurements will be recorded for comparison with other samples of the same make and model. At least one headgear will weighed in its most massive configuration. Models intended for persons age six through eleven years and weighing more than 750 grams shall be rejected. Models intended for persons age 12 through 15 years and weighing more than 1400 grams shall be rejected. At the discretion of the technician, additional helmet assemblies may be required to make this determination with appropriate levels of confidence.

Some helmets may incorporate innovations and other features not anticipated by this Standard but which raise concerns about the safety and effectiveness of the headgear.

These will be referred to members of the Foundation's Board of Directors for evaluation. Any feature deemed to reduce the protective capacity of the headgear, whether explicitly mentioned in this Standard or not, will be a cause for rejection.

C. Marking

The helmet is placed upon the largest appropriate ISO headform, positioned according to the apposite helmet positioning index and held in place with an applied force of 50 newtons (11.25 lbs). The intersections of the shell with the various defined planes are then traced onto the outer surface of the helmet in the following manner:

The level of the S_0 plane is marked on that portion of the helmet in front of the fore plane. The level of the S_3 plane is marked on that portion lying between the fore and rear planes. The level of the S_4 plane is marked on that portion behind the rear plane. Finally, line segments along the fore plane are marked to join the S_0 and S_3 planes and, similarly, line segments along the rear plane are marked to join the S_3 and S_4 planes.

These lines enclose the top of the helmet and are the boundary of the required extent of protection. However, it shall not be a cause for rejection if parts of this boundary fall below the edge of the helmet. A test line shall be constructed within the extent of protection 40 mm from the closest point on the boundary as shown in figure 2.

If identical helmets are to be configured with different thicknesses of comfort padding to accommodate different ranges of head size, the required extent of protection marked on the test samples shall include the required extent of protection for each different configuration as marked on the largest headform appropriate for each. That is: the helmet must meet all the requirements of this Standard in each of the intended configurations.

D. Peripheral Vision

The clearance for peripheral vision will be checked by placing the helmet on each appropriate ISO headform, positioning it according to the appropriate helmet positioning index and holding it in place with a force of 50 newtons. The clearance must include the following solid angles to the front of the headform:

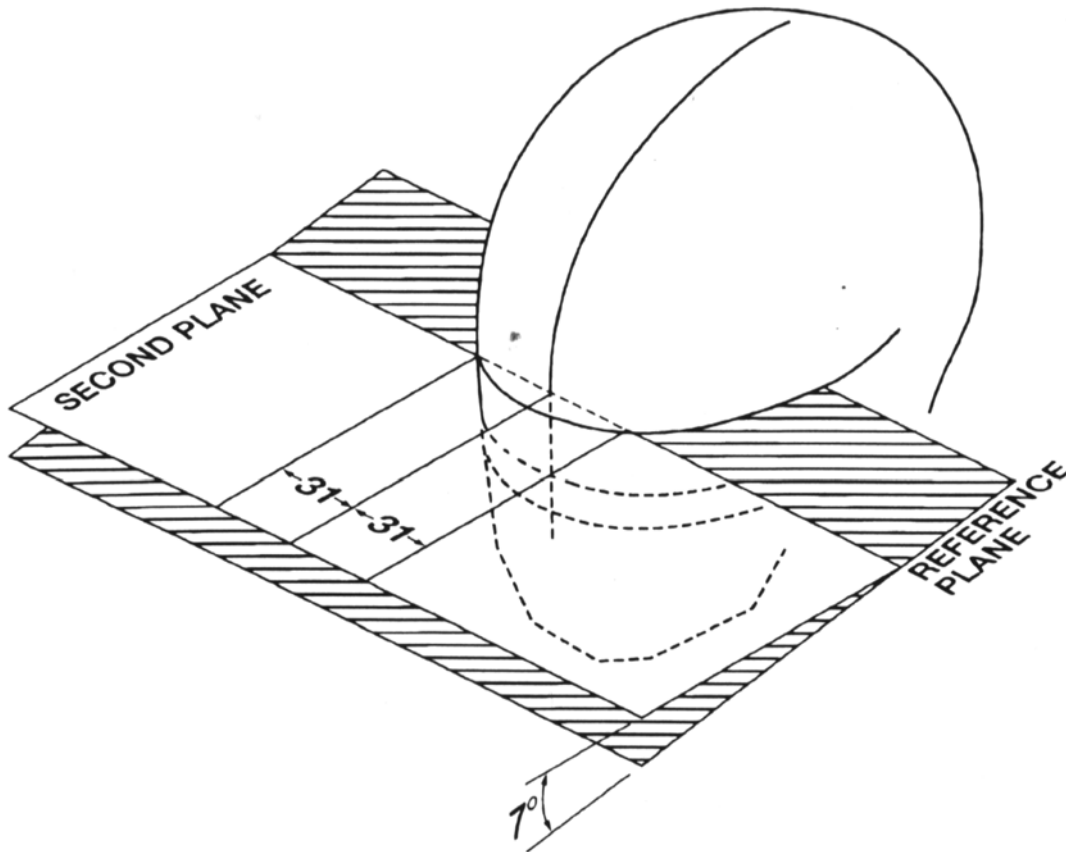


Figure 3 Upward Visual Clearance

1. The upward visual clearance.
2. The lateral visual clearance.
3. The downward visual clearance except for the breath deflector allowance.

Helmets certified to a special addendum to this standard and bearing the warning labels specified in the addendum will not be subjected to the following procedures and criteria for evaluating clearances for vision. However, the procedures and criteria specified in the addendum will be applied instead.

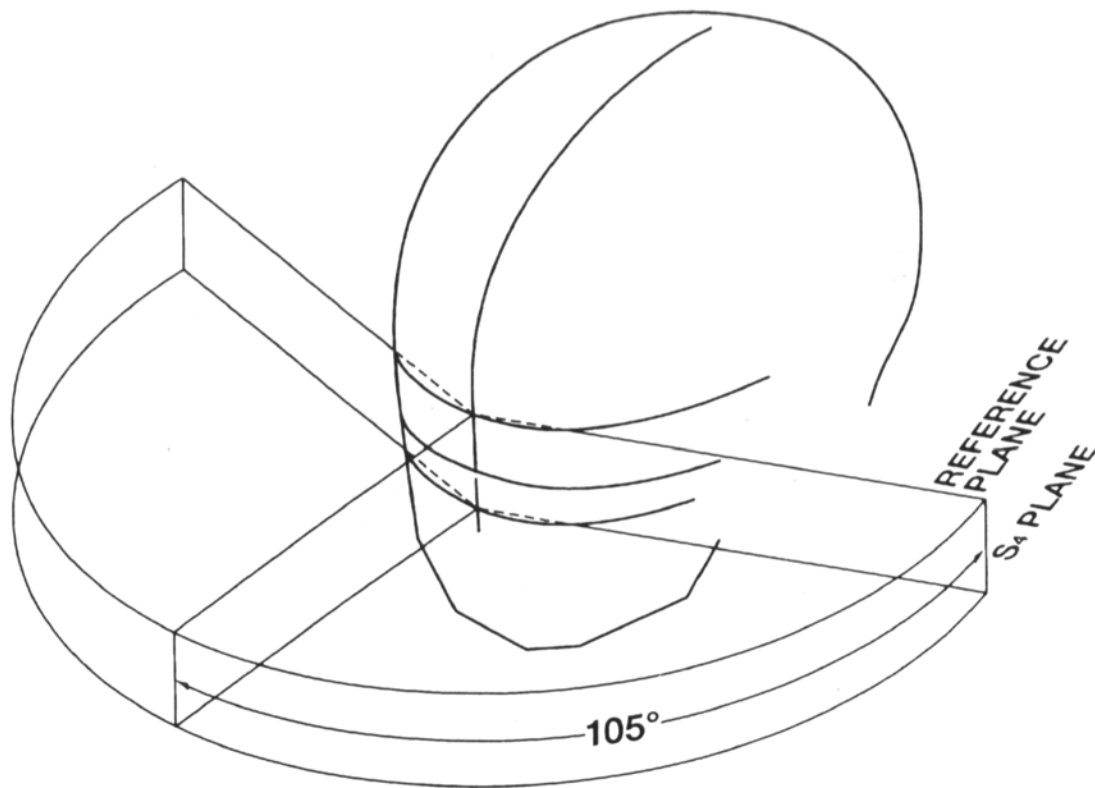


Figure 4 Lateral Visual Clearance

The upward visual clearance is the solid angle bounded by the reference plane of the headform and a second plane tilted 7° up from the reference plane. This second plane intersects the reference plane at two points on the front surface of the headform that are 31 mm to the right and left of the longitudinal plane as shown in figure 3.

The lateral visual clearance, as shown in figure 4, is the solid angle bounded by the reference plane, the S_4 plane and two more planes that are perpendicular to the reference plane and that contain the reference point on the front of the headform. One of these two

planes forms an angle of 105° with the longitudinal plane and lies to the left of the headform. The other forms the same angle to the right of the headform.

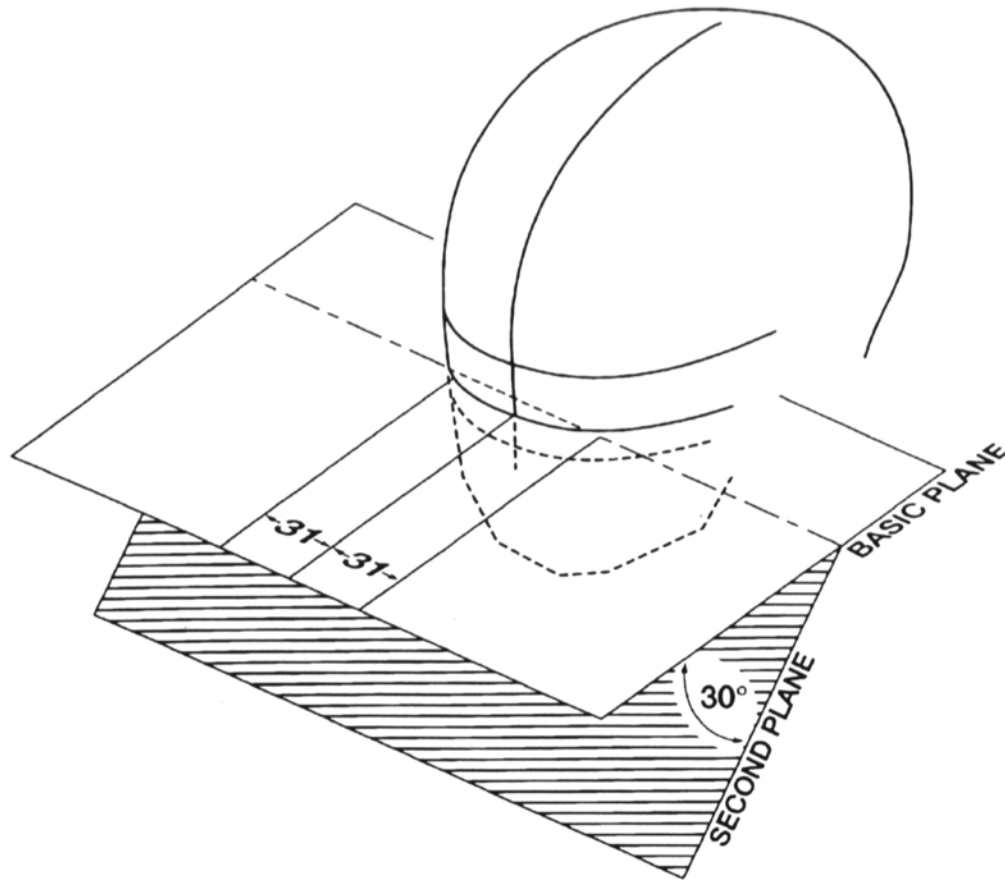


Figure 5 Downward Visual Clearance

The downward visual clearance is the solid angle bounded by the basic plane of the headform and a second plane tilted 30° down from the basic plane that intersects it at two points on the front surface of the headform that are 31 mm to the right and left of the longitudinal plane as shown in figure 5. However, intrusions into this downward clearance are permitted so long as the intrusions are within the breath deflector allowance.

The breath deflector allowance is shown in figure 6. It includes the region that is within 31 mm to the right and left of the longitudinal plane and that lies below the two planes that form 45° angles with the longitudinal plane and that intersect it at the level of the S_4 plane.

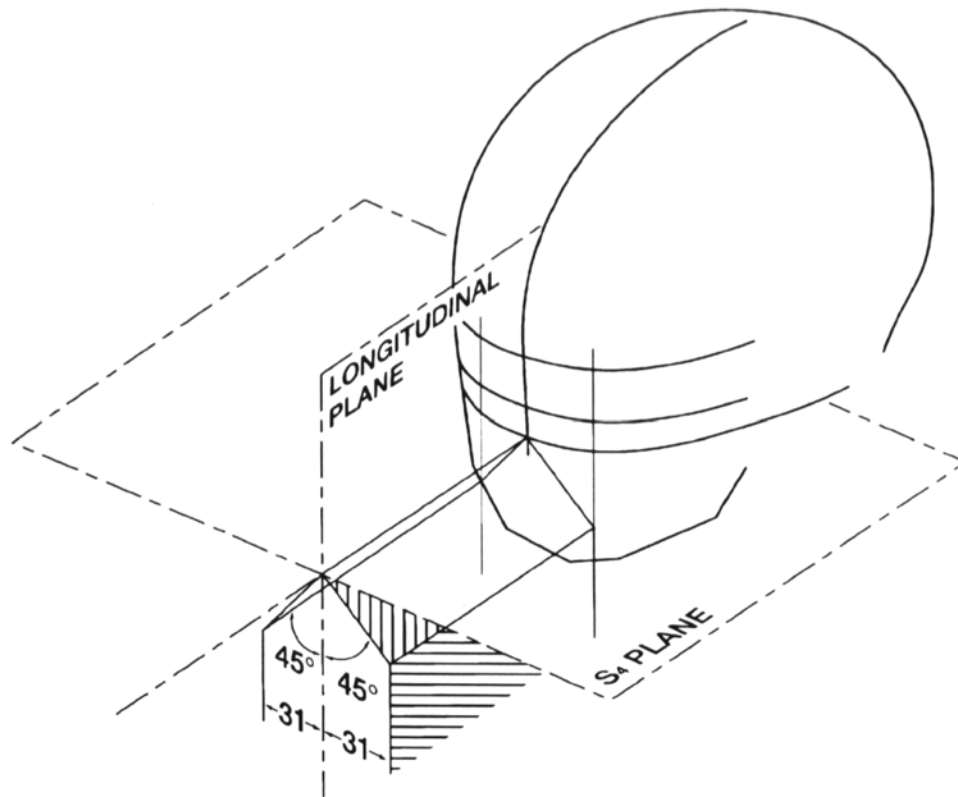


Figure 6 Breath Deflector Allowance

E. Performance Testing

The performance testing subjects helmets to a dynamic test of retention system strength, to a test for positional stability, to impact management tests, to helmet shell penetration tests, to a removability test, and to chin bar and face shield tests if appropriate.

These tests are conducted upon helmet samples kept under laboratory ambient temperature and humidity or that have been conditioned in one of three environments simulating some of the conditions in which the helmet might reasonably be expected to be used.

Prior to conditioning and testing, samples may be exposed to solvents common to motor sports which have been found to attack and degrade some helmet components.

In certification testing, the first of the four samples is kept at laboratory ambient temperature and humidity and allowed to come to equilibrium. It is subjected first to the positional stability test and then to the impact management and other tests. The second, third and fourth samples are conditioned hot, cold and wet, and subjected to the dynamic test of the retention system, the impact management test and the other tests.

The selection of tests, conditioning and special conditioning is left to the discretion of the Foundation's technical personnel. However, for certification testing, each of the specified tests shall be applied to at least one sample. Furthermore, it is expected that all testing will be conducted so as to exercise all the likely failure modes of the helmet.

E1. Conditioning for Testing

Test samples may be kept at laboratory ambient temperature and humidity or may be conditioned either cold, hot or wet according to the specifications given below. At the discretion of the Foundation's technical personnel and at any point during the testing, a sample previously kept at ambient may be conditioned cold, hot or wet. However, once a sample has been conditioned cold, hot or wet, the sample must be maintained in that condition throughout the rest of the testing.

The special solvent wipe conditioning described below may be applied to any sample at the discretion of the Foundation's technical personnel.

a. Special Conditioning. Prior to any impact or retention system testing helmets may first be conditioned with a solvent mix of 50% toluene and 50% isooctane. A cotton cloth or suitable substitute shall be soaked in the solvent and used as an applicator. The solvent will be applied to the shell first in an area within 5 mm of the chin strap attachments for not less than five (5) seconds on each side and then applied to the remainder of the shell for not less

than ten (10) seconds. At least thirty minutes shall elapse before further conditioning and testing.

b. Cold. The sample shall be conditioned by being exposed to a temperature of $-20 \pm 2^{\circ}$ C for a period of not less than four (4) hours, nor more than twenty-four (24) hours.

c. Heat. The sample shall be conditioned by being exposed to a temperature of $50 \pm 2^{\circ}$ C for a period of not less than four (4) hours, nor more than twenty-four (24) hours.

d. Wet. The sample shall be conditioned by being continuously sprayed with water at a temperature of $25 \pm 5^{\circ}$ C for a period of not less than four (4) hours, nor more than twenty-four (24) hours. This spray shall be directed at the helmet's external surfaces. The helmet shall not be subjected to total immersion.

All testing of these hot, cold and wet helmets shall begin within two (2) minutes from the time of removal from the conditioning apparatus. The samples shall be returned to the conditioning apparatus between tests.

E2. Positional Stability (Roll-Off)

The test for positional stability shall only be applied to samples kept at ambient laboratory temperature and humidity. The helmet shall not have been subjected to any prior performance testing.

The helmet shall be tested on the smallest appropriate standard full-face headform. The headform shall be supported on a stand so that its vertical axis points downward at an angle of 135° to the direction of gravity. The headform shall be oriented face down. The helmet shall be placed on the headform and adjusted to obtain the best configuration of the retention system. An inelastic strap shall be hooked to the edge of the helmet at the rear centerline and brought forward so that its free end hangs downward across the top of the helmet. An inertial hammer shall be suspended from the free end of the strap. This inertial

hammer shall enable a 4.0 kg \pm 50 g mass to be dropped through a 0.6 m guided fall in order to deliver an abrupt shock load to the headgear. The shock load will force the helmet to rotate forward on the headform. The helmet may be shifted but must remain on the headform.

The headform shall be repositioned so that it is facing upward but with the vertical axis still oriented downward at 135° to gravity. The helmet shall be positioned and adjusted to obtain the best configuration of the retention system. The strap/inertial hammer shall be hooked to the brow edge of the helmet at the center line so that the strap lies along the centerline and the hammer is suspended from the top of the helmet. The shock weight shall be dropped through the 0.6 m guided fall delivering an abrupt shock load forcing the helmet to rotate rearward. The helmet may be shifted but must remain on the headform.

The entire portion of the inertial hammer assembly that participates in the loading of the helmet shall be such that its mass is no more than 5.0 kg including the 4.0 kg shock mass.

E3. Dynamic Test of Retention System

The dynamic test of the retention system may be applied to any sample either kept at ambient temperature and humidity or conditioned hot, cold or wet. This test may be performed before, after, or between any of the other procedures in the test sequence. However, the retention test shall not be valid if an integral chin bar has been removed from a full face helmet.

The helmet shall be placed on a headform in such a manner that the chin strap may be fastened under a device whose upper end approximates the contour of the bony structure of the jaw. The device will then be given a mechanical pre-load followed by a dynamic loading. The retention system fails if it cannot support the mechanical loads or if the

maximum deflection during the dynamic load exceeds 30 mm. The retention system also fails if it cannot be easily and quickly unfastened after testing.

a. This chinstrap loading device shall consist of a simulated jaw and accommodations for the pre-load and dynamic load. The jaw portion shall consist of two metal bars or rollers, each one 12.7 ± 0.5 mm in diameter, separated by 76 ± 0.5 mm on center. The mass of this device shall not exceed 6.0 kg.

b. A pre-load shall be applied for at least 60 seconds. This pre-load plus the mass of the chinstrap loading device shall total $23 \text{ kg} \pm 500 \text{ g}$.

c. A $38 \text{ kg} \pm 500 \text{ g}$ mass shall be dropped in a vertical guided fall a distance of 120 mm so as to load the retaining system abruptly; the 38 kg mass and pre-load mass shall not be additive. In order to protect the test mechanism, the impact of the 38 kg mass may be cushioned with a 00-93 durometer rubber pad 150 mm in diameter by $6\frac{1}{2}$ mm thick, or its equivalent.

E4. Impact Management Tests

The impact management tests may be performed on samples kept at ambient temperature and humidity or conditioned hot, cold or wet. The sample shall not have been subjected to the shell penetration test beforehand.

These tests involve a series of controlled impacts in which the helmet is positioned on a test headform. The helmeted headform is then dropped in guided falls onto specified test anvils. The impact site and the impact energy must meet certain requirements in order for the tests to be valid.

If the sample is so constructed that it interferes with the test equipment preventing impacts at sites within the test line, then, at the discretion of the Foundation's technical personnel, parts of the helmet may be cut away to facilitate testing. Every reasonable effort

to minimize such cutting will be made. However, there shall be no relaxation of the impact levels or of the test criteria.

Certain tests shall not be valid when performed on samples that have been cut for impact testing: the dynamic strength of retention system test of section E3., the positional stability test of section E2., the chin bar test of section E5. and the removability test of section E8.

Special considerations apply when the helmet is a 'flip-up' model, that is: configured with a chinbar that pivots up and away from the face of the wearer. Whenever possible, the impact tests will be performed with the chinbar locked in the closed position. In these tests, in addition to all the other test criteria, the chinbar must not release and 'flip-up' inadvertently.

E4.1 Impact Management Test Equipment

The test equipment shall consist of at least the following items:

a. The smallest of the headforms appropriate for the helmet sample. This headform shall be of rigid, low resonance metal such as magnesium alloy and shall conform to the 'A', 'E', 'J', 'M' or 'O' geometries specified in ISO DIS 6220-1983.

b. A ball-arm/collar assembly which is fitted to a socket machined into the base of the headform. The ball/socket configuration shall be such that the geometrical center of the ball is located on the central vertical axis of the headform 12.7 mm above the reference plane as described in ISO DIS 6220-1983. The ball-arm/collar assembly shall also include a uniaxial accelerometer fixed firmly into the ball.

c. A headform support assembly rigidly attached to the ball-arm. This support assembly shall be such that it and consequently the headform may be guided in a vertical drop. The weight of the support assembly shall not exceed 25% of the combined weights of

the headform, ball-arm, collar and accelerometer. The total mass of the headform/support assembly shall be 5.0 ± 1 kg.

d. A guidance system such that the headform/support assembly is guided in a vertical drop onto a test anvil. This guidance system may consist of two or more wires or one or more rails. The headform/support - guidance system - test anvil alignment shall be such that:

d1. The drop trajectory shall be a straight line within 3° of vertical and within 5° of the sensitive axis of the uniaxial accelerometer.

d2. The line parallel to the drop trajectory and passing through the center of the headform ball-socket shall pass within 5 mm of the center of the test anvil, within 10 mm of the center of gravity of the headform/support assembly, and within 5 mm of the sensitive element of the uniaxial accelerometer.

e. A rigid anvil mount consisting of a solid mass of at least 135 kg. The upper surface of the anvil mount shall consist of a steel plate with a minimum thickness of 12 mm and a minimum surface area of 0.10 m^2 .

f. Three test anvils : flat, hemispherical and edge.

f1. The flat anvil shall have a minimum surface area of 0.0127 m^2 , e.g. 127 mm diameter face. When fixed in position on the anvil mount, the surface shall be perpendicular to the headform trajectory.

f2. The hemispherical anvil shall have a 48 ± 0.5 mm radius.

f3. The edge anvil shall have a striking face 6.3 mm wide by at least 180 mm long with a depth of at least 35 mm. When in position, the striking face shall be perpendicular to the headform trajectory.

g. A uniaxial accelerometer. The acceleration data channel must comply with SAE recommended practice J 211 requirements for channel class 1000 with the exception that the

frequency response need not include the range from dc to 10 hz which may not be obtainable using certain types of transducers.

h. A velocity measurement device which will yield the velocity of the headform/support assembly within the last 40 mm of travel before impact. The velocity measurements must be accurate to within $\pm 1\%$.

E4.2 Test Definitions

a. The impact site refers to the portion of the helmet struck during an impact test. It is defined as the point where a line passing through the center of the headform ball and the center of the anvil intersects the outer surface of the helmet at the instant the helmet first touches the anvil.

b. The impact energy is the kinetic energy of the headform/support assembly at the instant of impact. It is defined as the mass of the headform/support assembly times the square of the velocity measurement times one half. The mass of the helmet is ignored in this calculation.

c. There are two levels of test: the first is the standard level used to identify those helmets which definitely meet this standard and which is applied to samples submitted for certification testing and to those acquired for the Foundation's random sample test (RST) program. The second is the deviation level which is applied to samples acquired for second round RST procedures, that is: testing of samples of currently certified models for which previous samples have obtained failing results in RST testing.

E4.3 Test Impacts: Helmets intended for persons ages six through eleven years.

Test impact sites shall be on or above the test line. Rivets, vents and any other helmet feature within this region shall be valid test sites. Each impact site will be subjected to a group of one or two impacts according to the anvil selected for that site.

The impact site for the first impact within in a group is the target for the successive impacts in the same group. However, if an impact group is sited closer than 120 mm to any previous impact group, that later impact shall be declared invalid.

There is no restriction regarding test anvil selection. The impact energies for each test impact are as follows:

a. There shall be two impacts at each site tested against the flat anvil. For the first impact, the impact energy shall be 120 j for all standard level testing and 110 j for all deviation level testing. For the second impact, the impact energy shall be 88 j for all standard level testing and 80 j for all deviation level testing. Given an ideal frictionless mechanical test facility, the standard impact energies represent 2.4+ meter and 1.8+ meter drops of a 5 kg headform and supporting assembly.

b. There shall be two impacts at each site tested against the hemispherical anvil. For the first impact, the impact energy shall be 120 j for all standard level testing and 110 j for all deviation level testing. For the second impact, the impact energy shall be 88 j for all standard level testing and 80 j for all deviation level testing. Given an ideal frictionless mechanical test facility, the standard impact energies represent 2.4+ meter and 1.8+ meter drops of a 5 kg headform and supporting assembly.

c. There shall be one impact at each site tested against the edge anvil. For each impact against the edge anvil, the impact energy shall be 120 j for all standard level testing and 110 j for all deviation level testing. Given an ideal frictionless mechanical test facility, this standard impact energy represents a 2.4+ meter drop of a 5 kg headform and supporting assembly.

d. If the impact energy for any test impact exceeds the energy specified by more than 3%, that impact shall be declared invalid.

E4.4 Test Impacts: Helmets intended for persons ages twelve through fifteen years.

Test impact sites shall be on or above the test line. Rivets, vents and any other helmet feature within this region shall be valid test sites. Each impact site will be subjected to a group of one or two impacts according to the anvil selected for that site.

The impact site for the first impact within in a group is the target for the successive impacts in the same group. However, if an impact group is sited closer than 120 mm to any previous impact group, that later impact shall be declared invalid.

There is no restriction regarding test anvil selection. The impact energies for each test impact are as follows:

a. There shall be two impacts at each site tested against the flat anvil. For the first impact, the impact energy shall be 150 j for all standard level testing and 140 j for all deviation level testing. For the second impact, the impact energy shall be 110 j for all standard level testing and 105 j for all deviation level testing. Given an ideal frictionless mechanical test facility, the standard impact energies represent 3.0+ meter and 2.2+ meter drops of a 5 kg headform and supporting assembly.

b. There shall be two impacts at each site tested against the hemispherical anvil. For the first impact, the impact energy shall be 150 j for all standard level testing and 140 j for all deviation level testing. For the second impact, the impact energy shall be 110 j for all standard level testing and 105 j for all deviation level testing. Given an ideal frictionless mechanical test facility, the standard impact energies represent 3.0+ meter and 2.2+ meter drops of a 5 kg headform and supporting assembly.

c. There shall be one impact at each site tested against the edge anvil. For each impact against the edge anvil, the impact energy shall be 150 j for all standard level testing and 140 j for all deviation level testing. Given an ideal frictionless mechanical test facility, this

standard impact energy represents a 3.0+ meter drop of a 5 kg headform and supporting assembly.

d. If the impact energy for any test impact exceeds the energy specified by more than 3%, that impact shall be declared invalid.

Please Note: The impacts described above are based on specific energies and not prescribed drop heights. To attain the proper energy for an impact, it is likely that the drop height will need to be adjusted to compensate for frictions inherent in most mechanical helmet testing systems. Height adjustments for these frictions should not account for more than 10% of the total drop height. Also, the 3% margin allowed for impact energy reflects the uncertainties expected even for well maintained drop equipment. It is expected that drop heights will always be selected to produce, as closely as possible, the precise impact energy called out in the standards.

E4.5 Impact Test Interpretation

The peak acceleration of the headform shall not exceed 290 G's for any valid certification impact nor 300 G's for any other valid test impact. The helmet's protective structures shall not break apart throughout the testing. If the Foundation's technical personnel conclude that fracture of the helmet shell, impact liner, retention system or other components could reasonably imply an undue laceration hazard either from the impact surface or from the helmet itself, the sample shall be considered to have failed. A flip-up configuration tested with the chinbar closure locked at the outset of a valid impact and which releases inadvertently as a result of the impact will also be deemed to have failed.

If, in certification testing, a sample is found to meet all the test criteria but any two of the impacts were at less than 97% of the impact energy specified, the testing for that sample shall be declared inconclusive and must be repeated. Similarly, if there are two instances

where an impact falls beyond 10 mm from the first impacts in its group, the testing for the sample shall be declared inconclusive and must be repeated. Finally, if an invalid impact produces a peak acceleration exceeding the test criterion, the testing for the sample shall be declared inconclusive and must be repeated.

The impact test procedures leave considerable latitude to the helmet tester regarding site and anvil selection. It is expected that the tester will orchestrate each standard test series in order to investigate potential weaknesses and to exercise each likely failure mode and will conduct deviation level testing to exercise the failure modes identified previously.

If at the end of a certification test series, the Foundation's technical personnel conclude that the results obtained in valid impacts are not sufficient to determine whether the helmet model meets the performance requirements of this standard, additional samples may be conditioned and tested. It is expected that all samples submitted will meet all the test requirements.

E5. Chin Bar Test

The chin bar test applies to full face helmets only. At least one helmet in each certification series shall be tested. The helmet shall be firmly mounted on a rigid base so that the chin bar faces up and the reference plane is at $65 \pm 5^\circ$ from horizontal. A mass of $5 \pm .2$ kg with a flat striking face of 0.01 m^2 minimum area shall be dropped in a guided fall so as to strike the central portion of the chin bar with an impact velocity of 3.5 ± 0.2 m/sec. The maximum downward deflection of the chin bar must not exceed 60 mm nor any component fail so as to cause a potential injury to the wearer.

E6. Shell Penetration Test

The shell penetration test may be applied to helmets kept at laboratory ambient temperature and humidity or helmets conditioned hot, cold or wet. At least one helmet sample

shall be tested in shell penetration. The complete helmet shall be placed on a rigidly mounted headform. The test headform for the penetration test need not be the standard ISO headform shape used in the impact testing and helmet marking. It is expected only that the device used will provide reasonable support for the helmet and conformance with the interior of the helmet immediately beneath the site of the penetration test. If the helmet contains a sling or some other adjustable sizing component, it shall be relaxed to its most extendable position.

The penetration test striker shall have a mass of 3 kg \pm 50 g. The striker shall fall through a height of 3 m \pm 15 mm. The point of the striker shall be a cone with an included angle of 60° \pm 0.5° and an altitude of 38 \pm 0.38 mm. The striking tip shall have a hardness of 60 Rockwell (scale C \pm 3 points) and a radius of .5 \pm .01 mm.

The test striker may be directed at any site on or above the test line but the penetration test site must be at least 7.5 cm removed from the center of any impact test site or any other penetration test site. At the test technician's discretions, samples may be tested at more than one site on the shell.

For all penetration tests performed, the test striker must not penetrate to achieve even momentary contact with the test headform.

E7. Face Shield Penetration Test

If a face shield is provided with a full face helmet, this face shield shall be tested for penetration resistance in the following manner:

The faceshield shall be tested on the appropriate helmet, correctly deployed across the facial opening and under laboratory ambient conditions. A soft lead pellet weighing 1 \pm 0.1 g with a diameter of 5.5 \pm 0.1 mm and traveling at a velocity of 500 \pm 20 km per hour shall strike the face shield normal to the surface. The face shield shall be tested in at least three

different locations: the center line and 80 ± 5 mm to either side of the center line. The pellet must not penetrate to the interior of the helmet.

E8. Removability

The helmet removability test determines whether the helmet can be removed from an unconscious victim without resorting to any buckles, clasps or other mechanisms which may be rendered non-functional by impact stresses. The helmet is placed on the largest appropriate complete ISO headform with all the closures and retention systems engaged. A technician must remove the helmet from the headform using simple, common hand tools but without accessing any of the helmet mechanisms.

The hand tools for this test are limited to shears, simple edged tools and flat bladed screw drivers. The operation must not require more than thirty seconds.

E9. Post-testing Disassembly and Inspection

If a set of helmets is submitted for and passes certification testing, at least one of the tested samples shall be disassembled and inspected. If the laboratory staff identifies any internal feature that is not plausible for inclusion in a production helmet, the model shall be rejected. If an internal projection on the helmet shell is deemed to present an undue laceration or puncture hazard, the model shall be rejected. In evaluating these internal projections, no allowance shall be made for liner thickness.

At the discretion of the technician, any helmet may be disassembled in order to check for internal projections, plausibility or for deviations from the originally certified configuration.